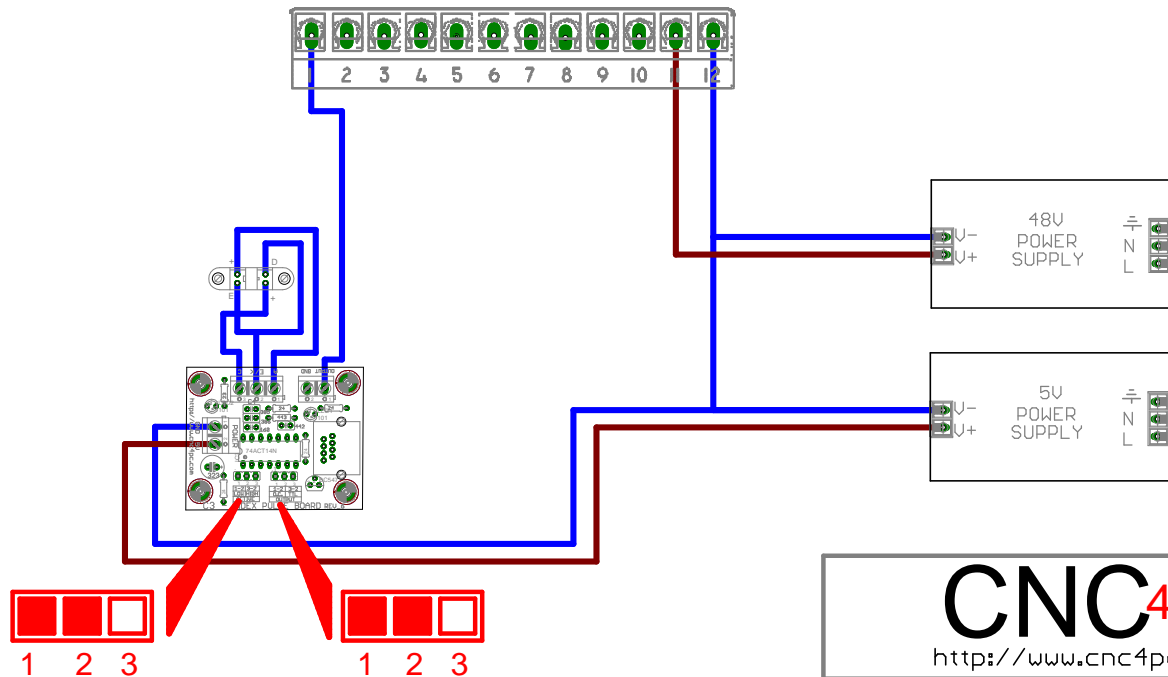
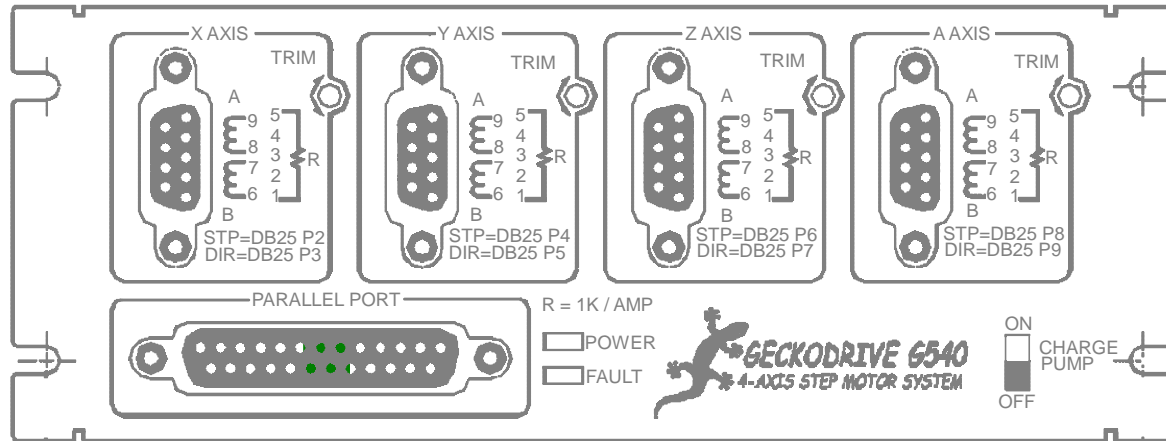


1-C3 and G540



CNC4PC
<http://www.cnc4pc.com>

| | |
|-----------------------------|-------------------|
| Designed: YAC | Date: APR-03-2013 |
| Revised: | Date: |
| Item: 1-C3 and G540 | Ver.: 1 |
| Description: C3 and G540 | |