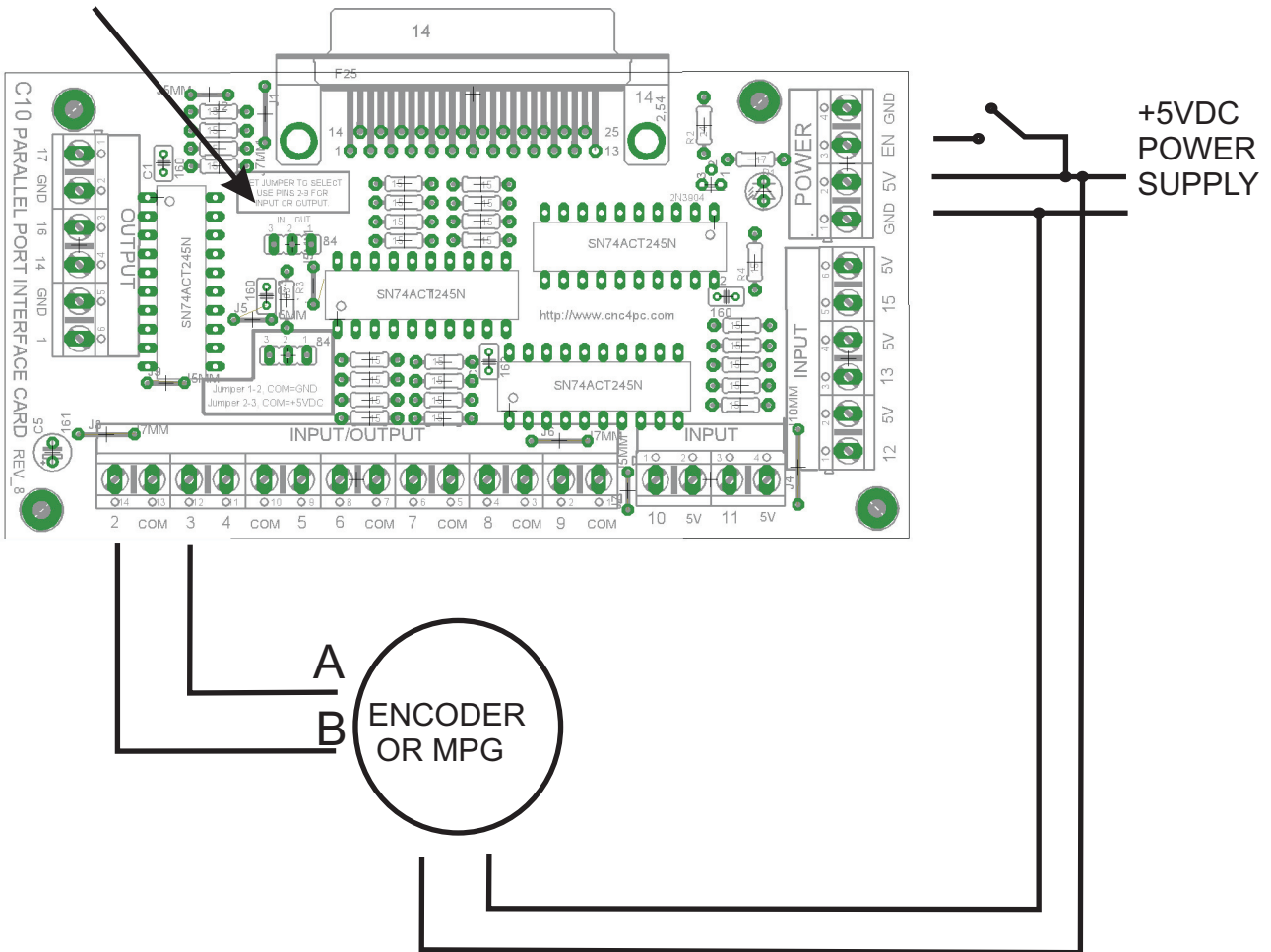


# C10 - BIDIRECTIONAL BREAKOUT BOARD Rev. 8

Sample wiring of an encoder or MPG (Manual Pulse Generator)

USE PINS 2-9  
FOR INPUT



This card must be powered while your system is under power. Keep in mind noise can be transmitted into output signals that could trigger unwanted actions in your system.