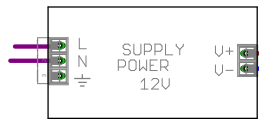
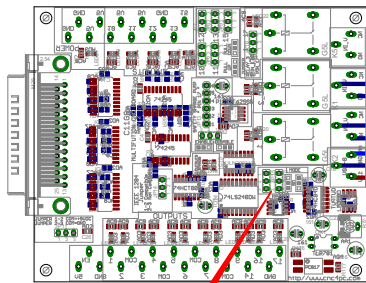


# C11GSR2 and Huanyang Drive

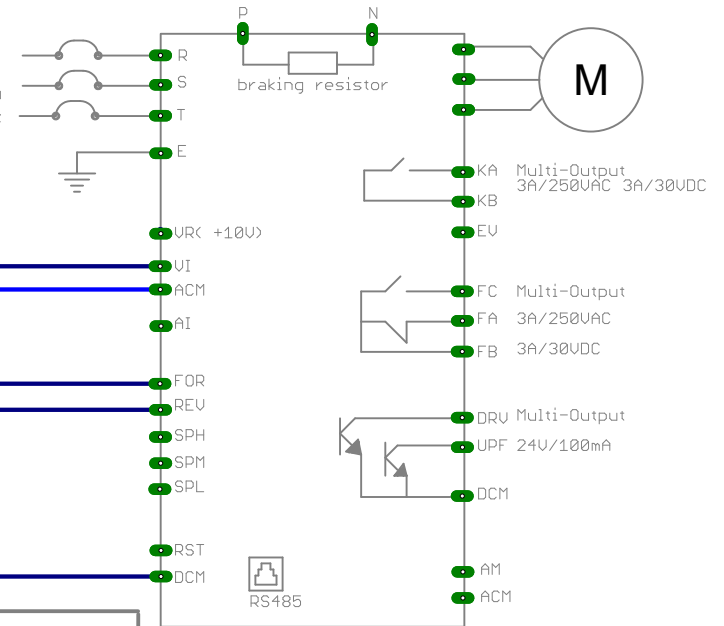


INVERTER TERMINAL	INVERTER FUNCTION	C11GS FUNCTION
DCM	GND for logic inputs	V_IN
FOR	Forward	REL1 N.O.
REV	Reverse	REL2 N.O.
VI	0-10VDC Analog input	Analog Output
ACM	GND for analog signals	Analog_GND



US MODE

Main power  
SUPPLY  
3-PHASE  
200-230V  
50/60 Hz



- Make sure the grounds of the analog circuit are kept isolated from the logic (+5vdc). Use a multimeter to confirm there is no continuity between the two grounds before applying power.
- Please consult the inverter manual and confirm this wiring works for your unit.

Note:  
This wiring is just to illustrate a sample product application.  
Specific wiring may vary from system to system.  
It is the user's responsibility to implement it correctly.

US MODE				
C32 PIN		RELAYS		SPINDLE OPERATION
1_14	1_16	REL. 1	REL. 2	
PWM	ON	OFF	ON	Spindle ON CCW
PWM	OFF	ON	OFF	Spindle ON CW
OFF	ON	OFF	OFF	Spindle OFF
OFF	OFF	OFF	OFF	Spindle OFF

INT MODE				
C32 PIN		RELAYS		SPINDLE OPERATION
1_14	1_16	REL. 1	REL. 2	
PWM	ON	ON	ON	Spindle ON CCW
PWM	OFF	ON	OFF	Spindle ON CW
OFF	ON	OFF	OFF	Spindle OFF
OFF	OFF	OFF	OFF	Spindle OFF

## CNC 4PC

<http://www.cnc4pc.com>

Designed: YAC Date: DEC-20-2016

Revised: Date:

Item: C11GS + Huanyang Ver.: 1

Description:  
C11GS and Huanyang Drive