

# CNC4PC

<http://www.cnc4pc.com>

Designed: RAAL

Date: JUN-06-2013

Revised:

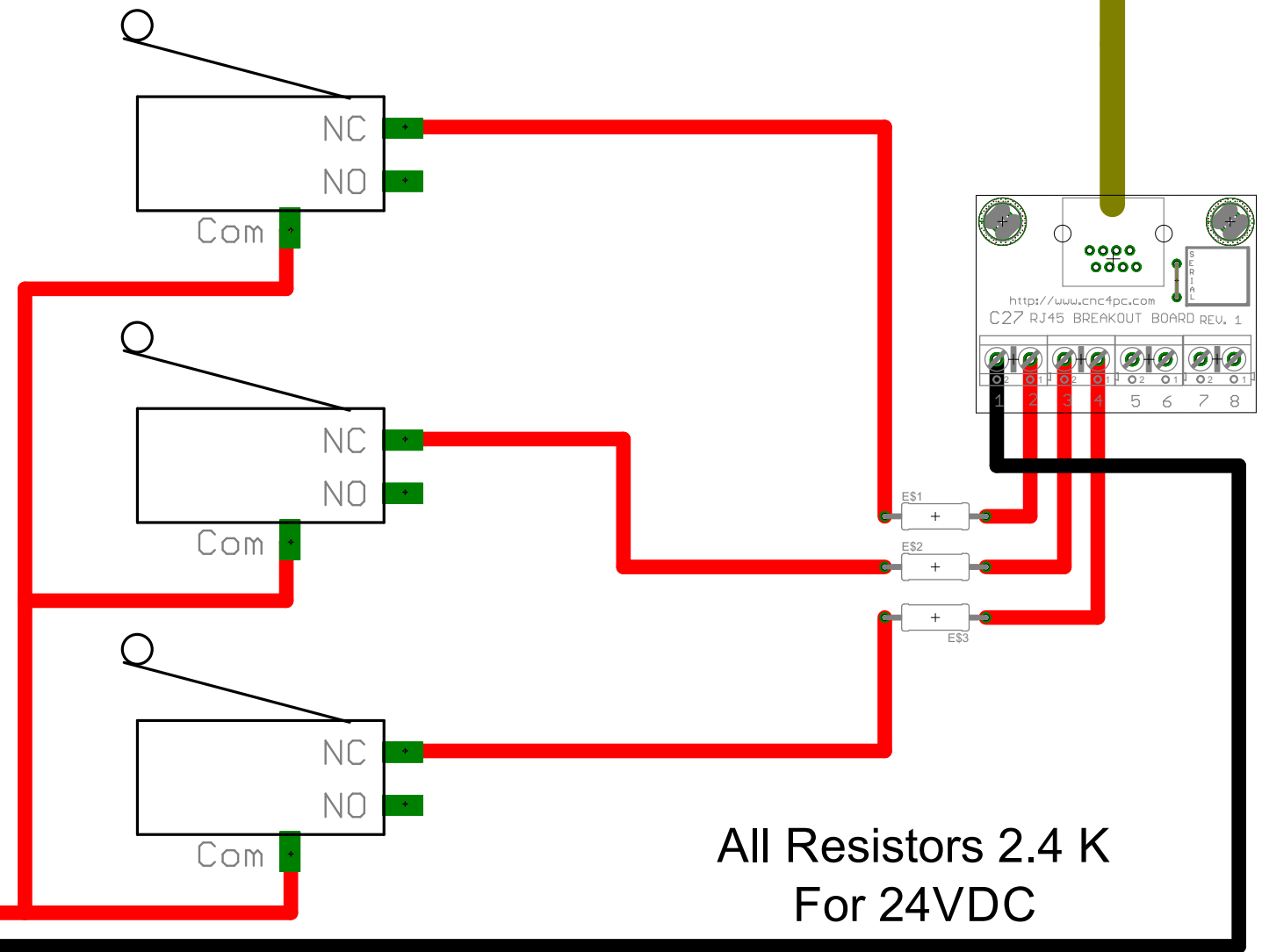
Date:

Item: C27 + SWITCH

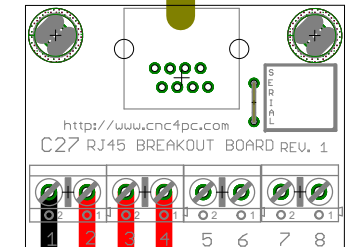
Ver.: 1

Description:

CONNECTION C27 + SWITCH



To C32



All Resistors 2.4 K  
For 24VDC