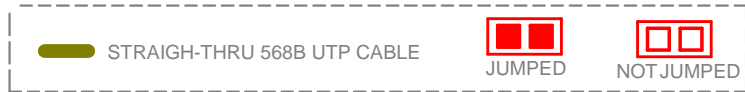
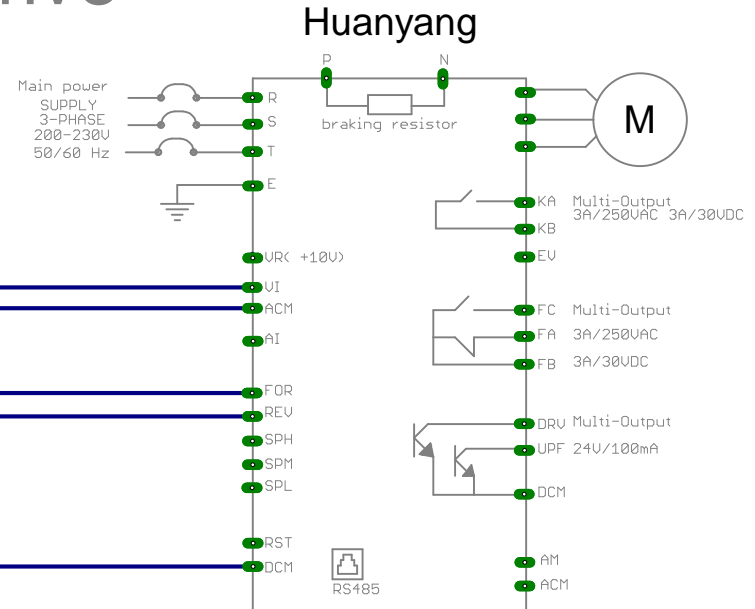
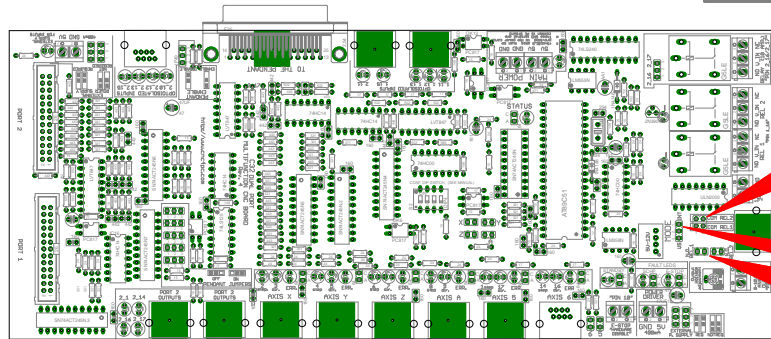


C32R4 and Huanyang Drive



INVERTER TERMINAL	INVERTER FUNCTION	RJ45 CABLE COLOR / PIN #	C32 FUNCTION
DCM	GND for logic inputs	BROWN / 8	V_IN
FOR	Forward	BLUE / 4	REL1 N.O.
REV	Reverse	GREEN / 6	REL2 N.O.
VI	0-10VDC Analog input	ORANGE / 2	Analog Output
ACM	GND for analog signals	ORANGE-WHITE / 1	Analog_GND



- Make sure the grounds of the analog circuit are kept isolated from the logic (+5vdc). Use a multimeter to confirm there is no continuity between the two grounds before applying power.
- Please consult the inverter manual and confirm this wiring works for your unit.

Note:
This wiring is just to illustrate a sample product application.
Specific wiring may vary from system to system.
It is the user's responsibility to implement it correctly.

US MODE					
C32 PIN	1_14	1_16	RELAYS		SPINDLE OPERATION
			REL. 1	REL. 2	
PWM	ON	OFF	ON		Spindle ON CCW
PWM	OFF	ON	OFF		Spindle ON CW
OFF	ON	OFF	OFF		Spindle OFF
OFF	OFF	OFF	OFF		Spindle OFF

INT MODE					
C32 PIN	1_14	1_16	RELAYS		SPINDLE OPERATION
			REL. 1	REL. 2	
PWM	ON	ON	ON		Spindle ON CCW
PWM	OFF	ON	OFF		Spindle ON CW
OFF	ON	OFF	OFF		Spindle OFF
OFF	OFF	OFF	OFF		Spindle OFF

CNC4PC

<http://www.cnc4pc.com>

Designed: YAC Date: JAN-30-2013

Revised: Date:

Item: C32 + Huanyang Ver.: 1

Description:
C32R4 and Huanyang Drive