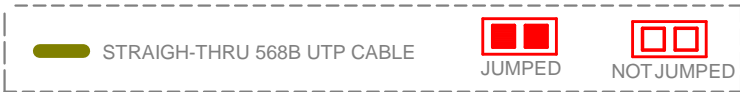
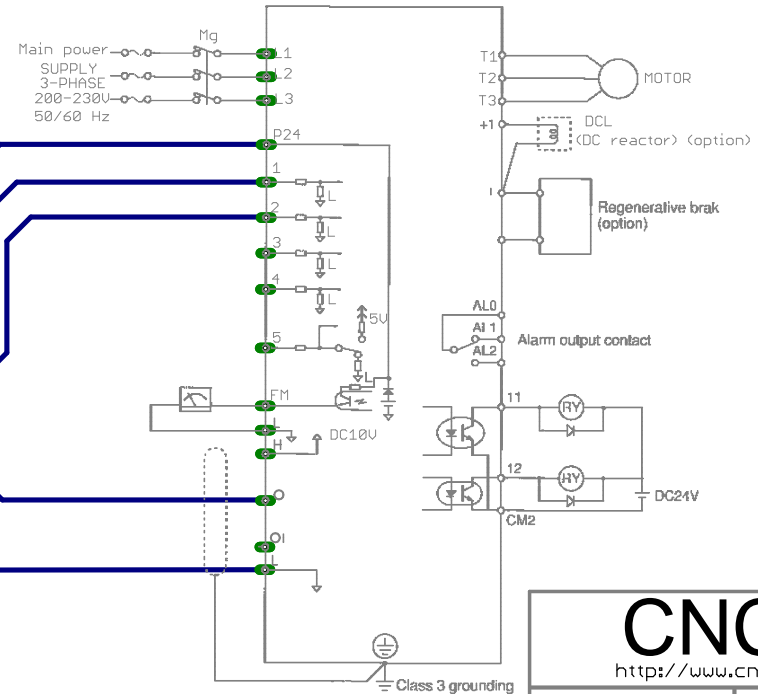
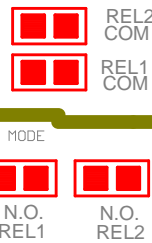
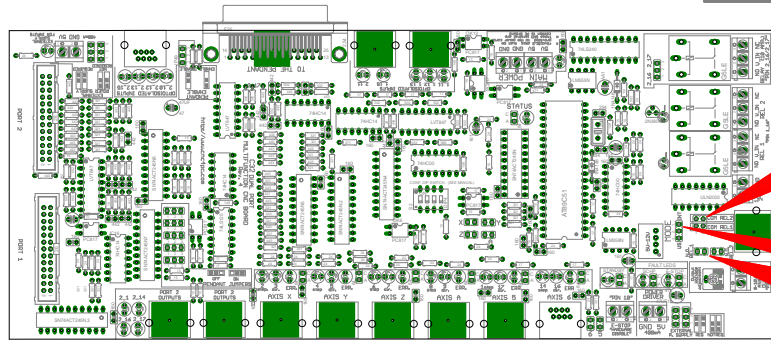


C32R4 and L100 Drive

L100-002 MFU



INVERTER TERMINAL	INVERTER FUNCTION	RJ45 CABLE COLOR / PIN #	C32 FUNCTION
P24	+24V for logic inputs	BROWN-WHITE / 7	EX. 24VDC
1	Forward	BLUE / 4	REL1 N.O.
2	Reverse	GREEN / 6	REL2 N.O.
O	0-10VDC Analog input	ORANGE / 2	Analog Output
L	GND for analog signals	ORANGE-WHITE / 1	Analog_GND



- Make sure the grounds of the analog circuit are kept isolated from the logic (+5vdc). Use a multimeter to confirm there is no continuity between the two grounds before applying power.
- Please consult the inverter manual and confirm this wiring works for your unit.

Note:
This wiring is just to illustrate a sample product application.
Specific wiring may vary from system to system.
It is the user's responsibility to implement it correctly.

US MODE					
C32 PIN	1_14	1_16	RELAYS		SPINDLE OPERATION
			REL. 1	REL. 2	
PWM	ON	OFF	ON		Spindle ON CCW
PWM	OFF	ON	OFF		Spindle ON CW
OFF	ON	OFF	OFF		Spindle OFF
OFF	OFF	OFF	OFF		Spindle OFF

INT MODE					
C32 PIN	1_14	1_16	RELAYS		SPINDLE OPERATION
			REL. 1	REL. 2	
PWM	ON	ON	ON		Spindle ON CCW
PWM	OFF	ON	OFF		Spindle ON CW
OFF	ON	OFF	OFF		Spindle OFF
OFF	OFF	OFF	OFF		Spindle OFF

CNC4PC
<http://www.cnc4pc.com>

Designed: VGG	Date: AUG-31-2012
Revised:	Date: AUG-31-2012
Item: C32R4 and L100	Ver.: 1
Description: C32R4 and L100-002 MFU Drive	