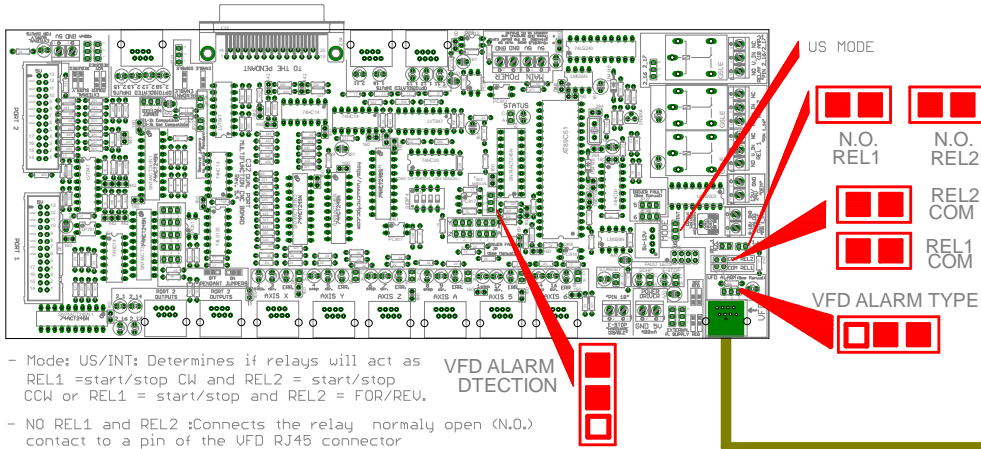


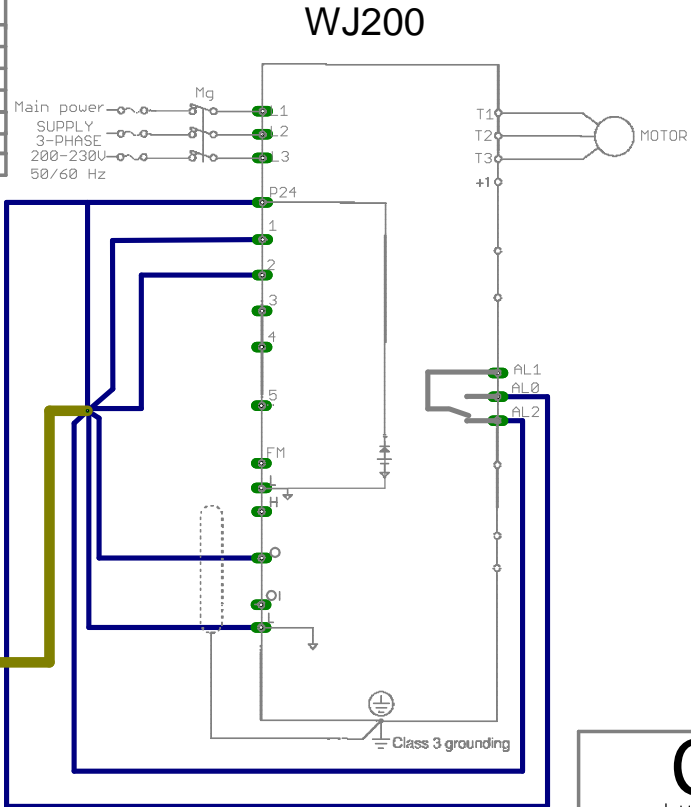
C32R5 and WJ200



| INVERTER TERMINAL | INVERTER FUNCTION | RJ45 CABLE COLOR / PIN # | C32 FUNCTION |
|-------------------|------------------------|--------------------------|---------------|
| P24 | +24V for logic inputs | BROWN / 8 | COM R |
| 1 | Forward | BLUE / 4 | REL1 N.O. |
| 2 | Reverse | GREEN / 6 | REL2 N.O. |
| O | 0-10VDC Analog input | ORANGE / 2 | Analog Output |
| L | GND for analog signals | ORANGE-WHITE / 1 | Analog_GND |
| AL0 | Relay contacts | BROWN / 8 | COM R |
| AL2 | Relay contacts | GREEN-WHITE / 3 | VFD Alarm |



- Mode: US/INT: Determines if relays will act as REL1 =start/stop CW and REL2 = start/stop CCW or REL1 = start/stop and REL2 = FOR/REV.
- NO REL1 and REL2 :Connects the relay normally open (N.O.) contact to a pin of the VFD RJ45 connector (Pin 4 for relay 1 and Pin 6 or relay 2). This pin can be connected to any external voltage (as user requires)
- REL1COM / REL2COM Make both relays use the same common.
- VFD ALARM TYPE: Determine if active or low.
- VFD ALARM DETECTION: Enable or disable the vfd alarm detection function



- Make sure the grounds of the analog circuit are kept isolated from the logic (+5vdc). Use a multimeter to confirm there is no continuity between the two grounds before applying power.
 - Please consult the inverter manual and confirm this wiring works for your unit.
- Note:**
This wiring is just to illustrate a sample product application. Specific wiring may vary from system to system. It is the user's responsibility to implement it correctly.



| C32 PIN | | RELAYS | | SPINDLE OPERATION |
|---------|------|--------|--------|-------------------|
| 1_14 | 1_16 | REL. 1 | REL. 2 | |
| PWM | ON | ON | ON | Spindle ON CCW |
| PWM | OFF | ON | OFF | Spindle ON CW |
| OFF | ON | OFF | OFF | Spindle OFF |
| OFF | OFF | OFF | OFF | Spindle OFF |

| C32 PIN | | RELAYS | | SPINDLE OPERATION |
|---------|------|--------|--------|-------------------|
| 1_14 | 1_16 | REL. 1 | REL. 2 | |
| PWM | ON | OFF | ON | Spindle ON CCW |
| PWM | OFF | ON | OFF | Spindle ON CW |
| OFF | ON | OFF | OFF | Spindle OFF |
| OFF | OFF | OFF | OFF | Spindle OFF |

CNC4PC
<http://www.cnc4pc.com>

| | |
|---------------------------------|-------------------|
| Designed: YAC | Date: OCT-31-2013 |
| Revised: | Date: |
| Item: C32R5 and WJ200 Ver.: 1 | |
| Description: C32R5 and WJ200 | |