

CNC4PC

<http://www.cnc4pc.com>

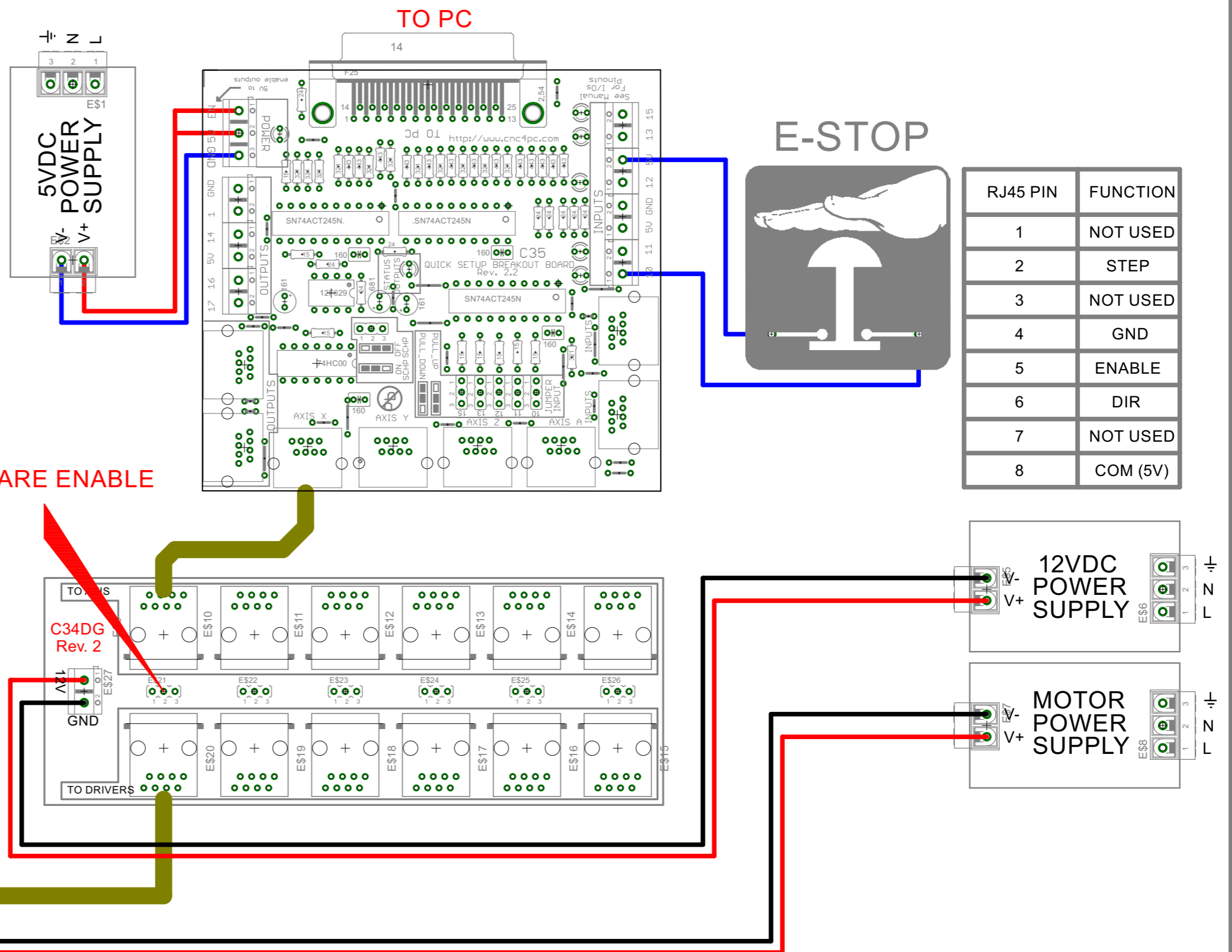
Designed: RAAL Date: JUN-05-2013

Revised: Date:

Item: C35 - C34DG - DG3S Ver.: 1

Description:

CONNECTION C35 - C43DG - DG3S



HARDWARE ENABLE

DG3S

C34DG Rev. 2

12VDC POWER SUPPLY

MOTOR POWER SUPPLY