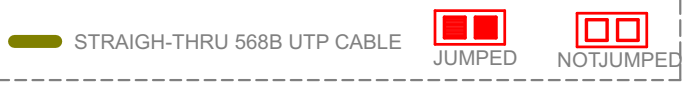


# C62R5 and Huanyang Drive with Alarm

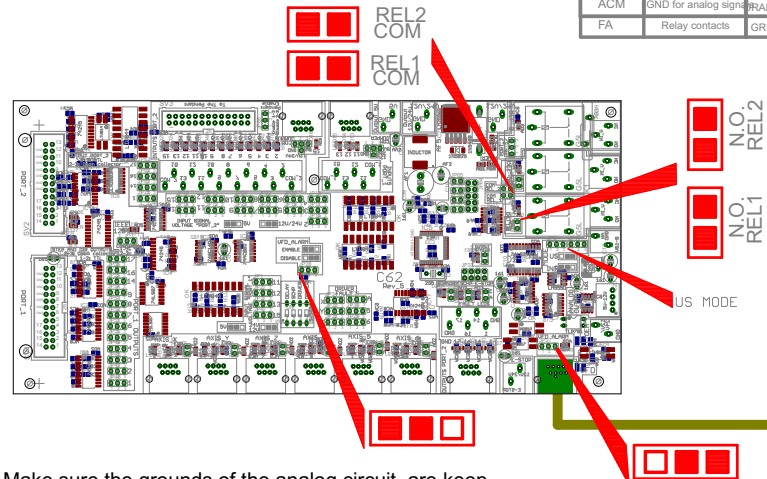
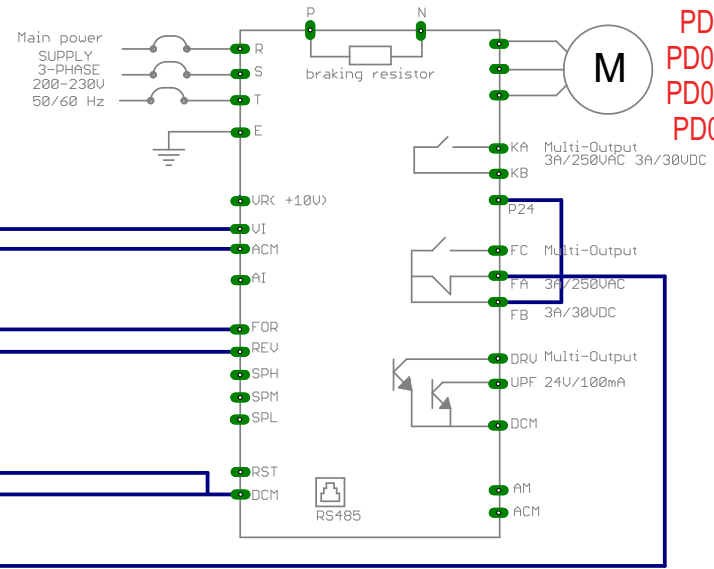


INVERTER TERMINAL	INVERTER FUNCTION	RJ45 CABLE COLOR / PIN #	C32 FUNCTION
DCM	GND for logic inputs	BROWN / 8 BLUE-WHITE / 5	V_IN Logic_GND
FOR	Forward	BLUE / 4	REL1 N.O.
REV	Reverse	GREEN / 6	REL2 N.O.
VI	0-10VDC Analog input	ORANGE / 2	Analog Output
ACM	GND for analog signals	RANGE-WHITE / 1	Analog_GND
FA	Relay contacts	GREEN-WHITE / 3	VFD Alarm

Huanyang

VFD PARAMETER SET:

- PD00=1
- PD044=01
- PD045=05
- PD052=2



NOTE: OK on +24vdc, faults on 0vdc

NOTE\_2: FA = Normally Close, FC = Normally Open, FB = Com



- Make sure the grounds of the analog circuit are keep isolated from the logic (+5vdc). Use a multimeter to confirm there is no continuity between the two grounds before applying power.
- Please consult the inverter manual and confirm this wiring works for your unit.

Note:  
This wiring is just to illustrate a sample product application.  
Specific wiring may vary from system to system.  
It is the users responsibility to implement it correctly.

INT MODE				
C32 PIN	RELAYS	REL. 1	REL. 2	SPINDLE OPERATION
1_14	1_16	ON	ON	Spindle ON CCW
PWM	ON	ON	ON	Spindle ON CW
PWM	OFF	ON	OFF	Spindle ON CW
OFF	ON	OFF	OFF	Spindle OFF
OFF	OFF	OFF	OFF	Spindle OFF

US MODE				
C32 PIN	RELAYS	REL. 1	REL. 2	SPINDLE OPERATION
1_14	1_16	OFF	ON	Spindle ON CCW
PWM	ON	OFF	ON	Spindle ON CW
PWM	OFF	ON	OFF	Spindle ON CW
OFF	ON	OFF	OFF	Spindle OFF
OFF	OFF	OFF	OFF	Spindle OFF

## CNC4PC

<http://www.cnc4pc.com>

Designed: YAC	Date: JUL-05-2016
Revised:	Date:
Item: C62 + Huanyang+alm	Ver.: 1
Description: C62R5 and Huanyang with Alarm	