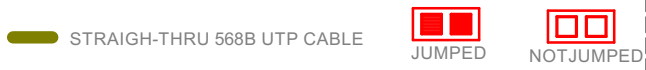
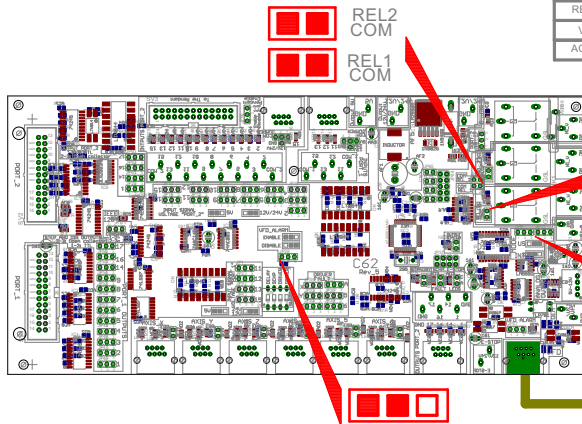


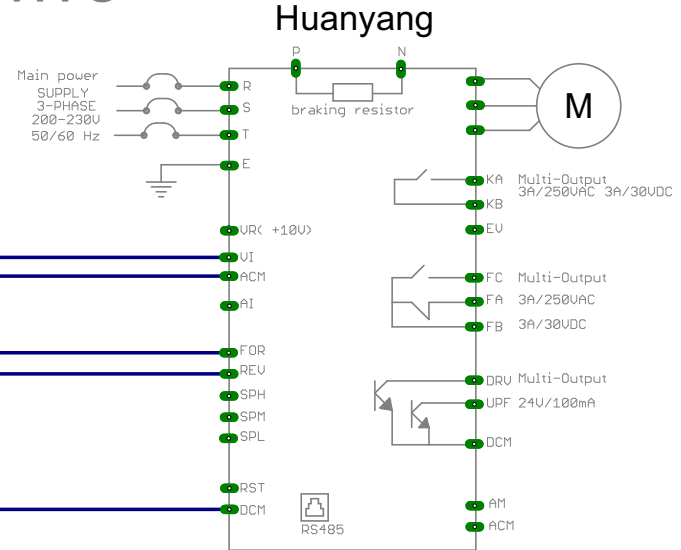
# C62R5 and Huanyang Drive



INVERTER TERMINAL	INVERTER FUNCTION	RJ45 CABLE COLOR / PIN #	C32 FUNCTION
DCM	GND for logic inputs	BROWN / 8	V_IN
FOR	Forward	BLUE / 4	REL1 N.O.
REV	Reverse	GREEN / 6	REL2 N.O.
VI	0-10VDC Analog input	ORANGE / 2	Analog Output
ACM	GND for analog signals	RANGE-WHITE / 1	Analog_GND



US MODE



- Make sure the grounds of the analog circuit are kept isolated from the logic (+5vdc). Use a multimeter to confirm there is no continuity between the two grounds before applying power.
- Please consult the inverter manual and confirm this wiring works for your unit.

Note:  
This wiring is just to illustrate a sample product application.  
Specific wiring may vary from system to system.  
It is the user's responsibility to implement it correctly.

INT MODE				
C32 PIN		RELAYS		SPINDLE OPERATION
1_14	1_16	REL. 1	REL. 2	
PWM	ON	ON	ON	Spindle ON CCW
PWM	OFF	ON	OFF	Spindle ON CW
OFF	ON	OFF	OFF	Spindle OFF
OFF	OFF	OFF	OFF	Spindle OFF

US MODE				
C32 PIN		RELAYS		SPINDLE OPERATION
1_14	1_16	REL. 1	REL. 2	
PWM	ON	OFF	ON	Spindle ON CCW
PWM	OFF	ON	OFF	Spindle ON CW
OFF	ON	OFF	OFF	Spindle OFF
OFF	OFF	OFF	OFF	Spindle OFF

## CNC4PC

<http://www.cnc4pc.com>

Designed: YAC Date: JUL-05-2016

Revised: Date:

Item: C62 + Huanyang Ver.: 1

Description:

C62R5 and Huanyang Drive