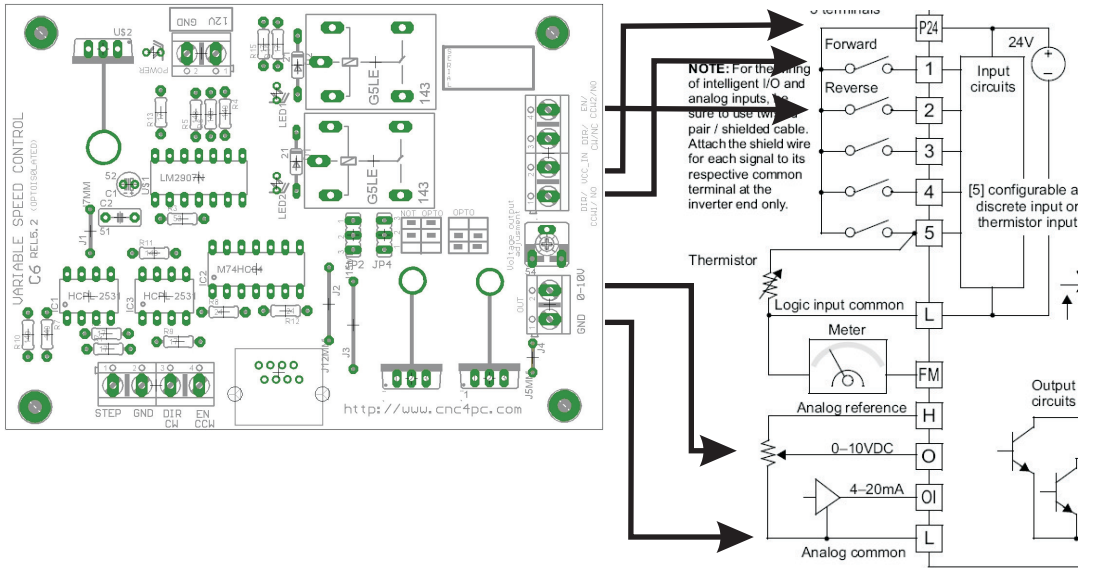
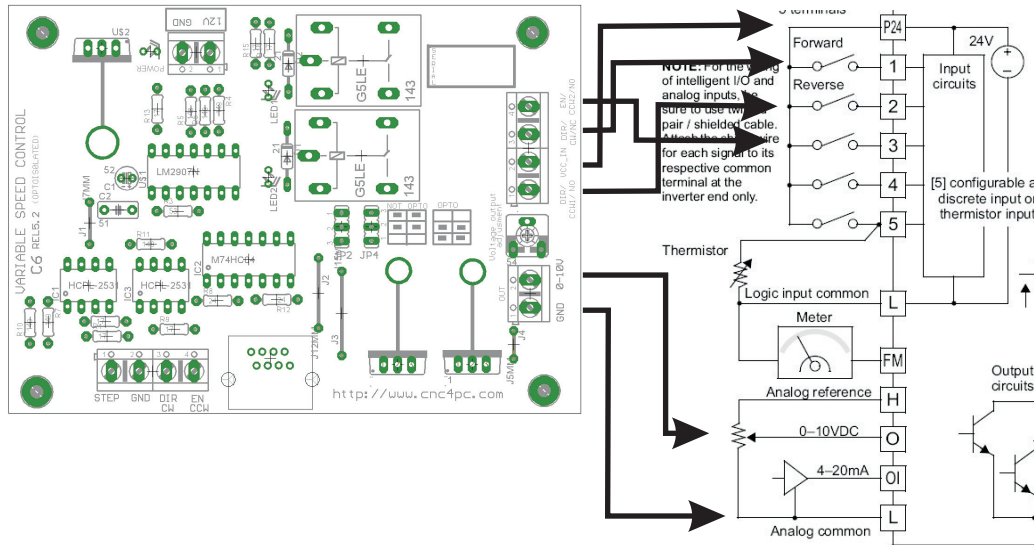


VARIABLE SPEED CONTROL BOARD WIRING SAMPLES C6 REV5



Using Relays 1 and 2 to activate CW and CCW.



Using Relays 1 to switch between CW and CWW. Relay 2 enables and disables the drive, acts as an On/Off.