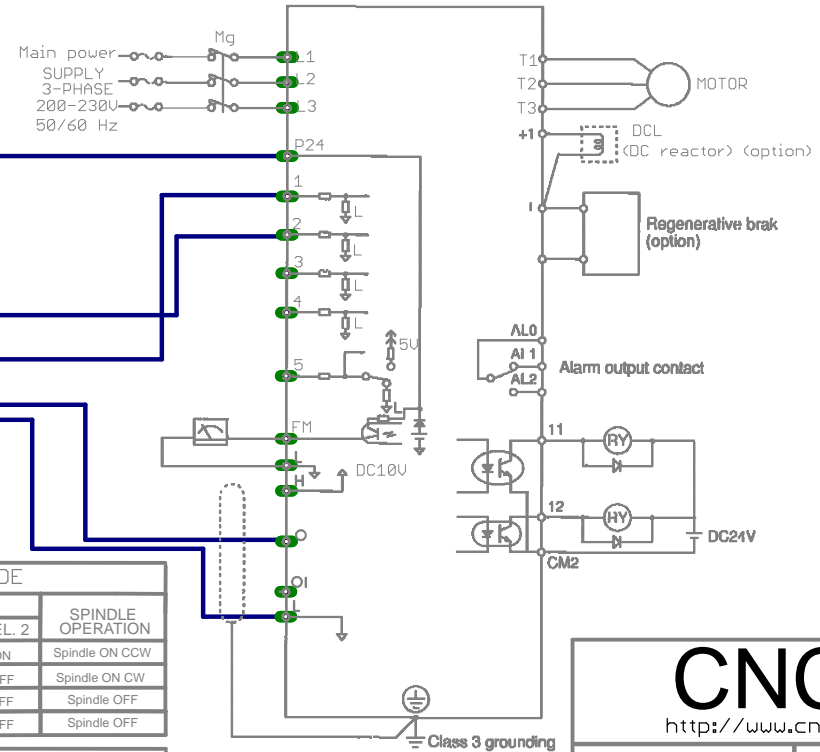
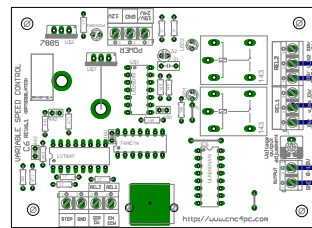


# C6R6 and L100 Drive

## L100-002 MFU

INVERTER TERMINAL	INVERTER FUNCTION	C32 FUNCTION
P24	+24V for logic inputs	V_IN
1	Forward	REL1 N.O.
2	Reverse	REL2 N.O.
O	0-10VDC Analog input	Analog Output
L	GND for analog signals	Analog_GND



US MODE				
C32 PIN		RELAYS		SPINDLE OPERATION
1_14	1_16	REL. 1	REL. 2	
PWM	ON	OFF	ON	Spindle ON CCW
PWM	OFF	ON	OFF	Spindle ON CW
OFF	ON	OFF	OFF	Spindle OFF
OFF	OFF	OFF	OFF	Spindle OFF

INT MODE				
C32 PIN		RELAYS		SPINDLE OPERATION
1_14	1_16	REL. 1	REL. 2	
PWM	ON	ON	ON	Spindle ON CCW
PWM	OFF	ON	OFF	Spindle ON CW
OFF	ON	OFF	OFF	Spindle OFF
OFF	OFF	OFF	OFF	Spindle OFF



- Make sure the grounds of the analog circuit are kept isolated from the logic (+5vdc). Use a multimeter to confirm there is no continuity between the two grounds before applying power.
- Please consult the inverter manual and confirm this wiring works for your unit.

Note:  
This wiring is just to illustrate a sample product application.  
Specific wiring may vary from system to system.  
It is the user's responsibility to implement it correctly.

**CNC4PC**  
http://www.cnc4pc.com

Designed: YAC	Date: MAR-06-2013
Revised:	Date:
Item: C6R6 and L100	Ver.: 1
Description: C6R6 and L100-002 MFU Drive	