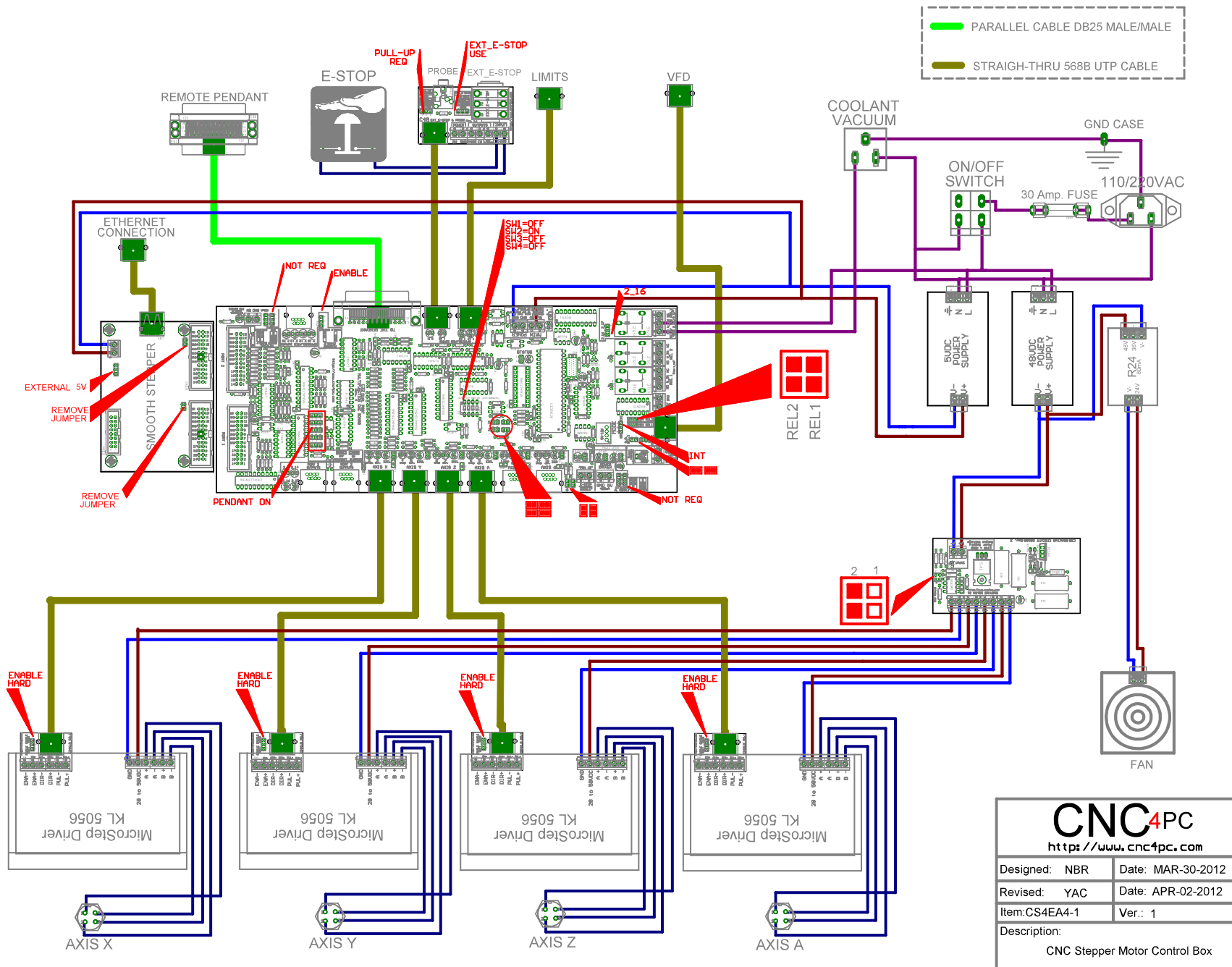


# CS4EA4-1



**CNC4PC**  
<http://www.cnc4pc.com>

Designed: NBR	Date: MAR-30-2012
Revised: YAC	Date: APR-02-2012
Item:CS4EA4-1	Ver.: 1

Description:  
 CNC Stepper Motor Control Box