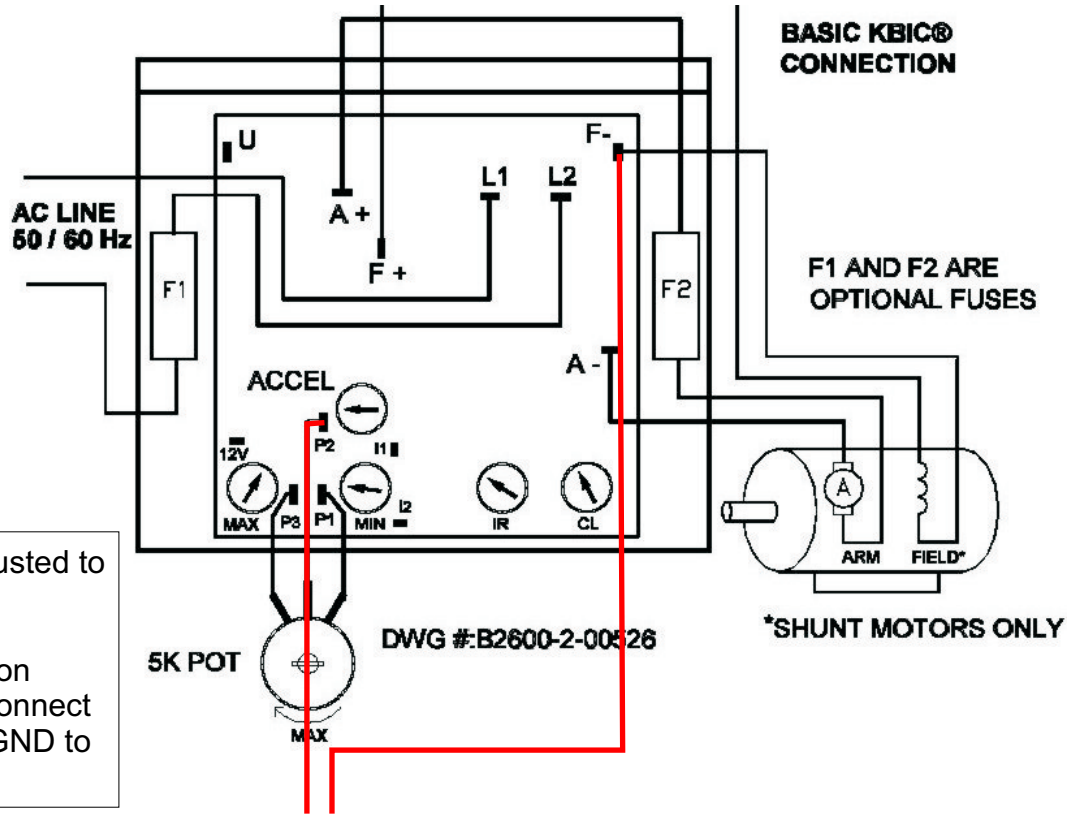


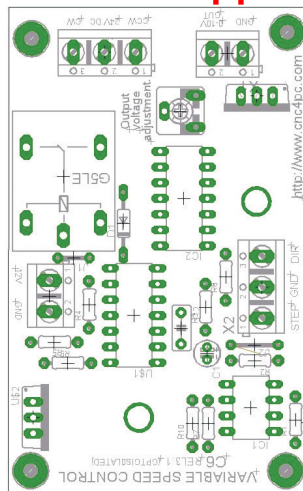
WIRING DIAGRAM FOR THE KBIC SPEED CONTROLLER



The final voltage must be adjusted to 7vdc.

This connection is described on pages 8-10 of the manual. Connect the analog output to P2 and GND to F-.

12VDC TO POWER THE BOARD.
To keep optoisolation, this current must come from the VFD, or a source different from the what is powering your other devices.



STEP, DIRECTION, AND GND FROM THE PARALLEL PORT OR BREAKOUT BOARD