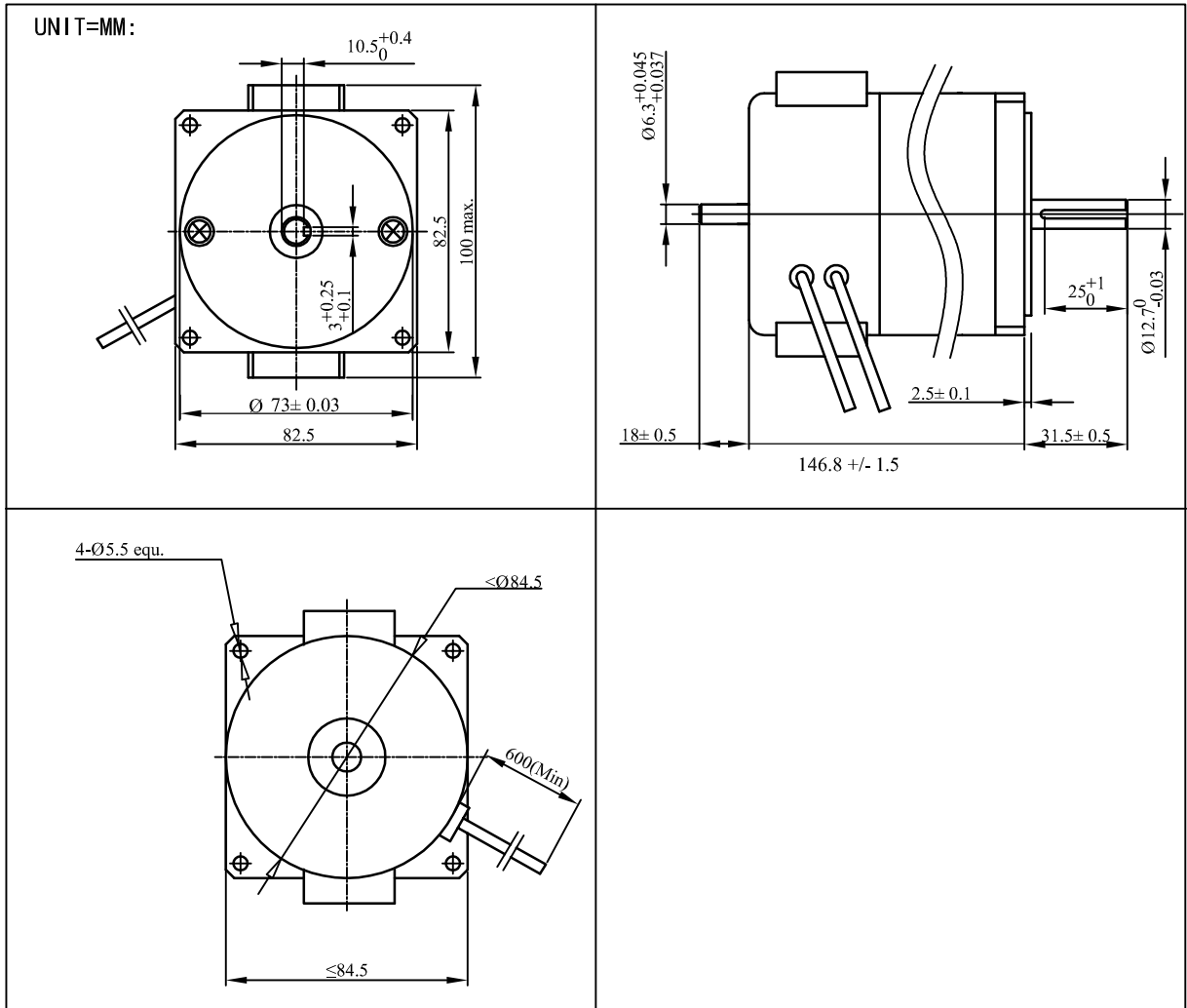


# DC SERVO Motor

KL34-150-90



- constant torque: 0.84 N.m ( 119 oz-in)
- peak torque: 4.23 N.m (600 oz-in)
- terminal voltage: 90 VDC
- max. speed at voltage constant: 6000 rpm
- continuous current: 7.6 A
- peak current: 38 A
- torque constant (KT): .13 N.m/amp
- voltage constant (KE): 13.36 volts/100 rpm
- resistance: .92 ohms
- inductance: 2.35 mH
- inertia: 2.39 kg.cm<sup>2</sup>
- weight: <4 Kg