



# USER'S MANUAL

## Remote Pendant MPG14 Rev.2

September, 2014

---

# USER'S MANUAL

## TABLE OF CONTENTS

Page #

### Contents

<b>1.0</b>	<b>FEATURES</b> .....	<b>1</b>
<b>2.0</b>	<b>SPECIFICATIONS</b> .....	<b>2</b>
<b>3.0</b>	<b>SYSTEM REQUIREMENTS</b> .....	<b>2</b>
<b>4.0</b>	<b>WARNING</b> .....	<b>2</b>
<b>5.0</b>	<b>REMOTE PENDANT DESCRIPTION</b> .....	<b>3</b>
<b>5.1</b>	<b>FRONT VIEW</b> .....	<b>3</b>
<b>6.0</b>	<b>QUICK START (STEP by step)</b> .....	<b>3</b>
<b>6.1</b>	<b>Step 1. Software Installation:</b> .....	<b>3</b>
<b>6.2</b>	<b>Step 2. copy and enable brain.</b> .....	<b>3</b>
<b>6.3</b>	<b>Step 3. Pokeys Plugin Configuration.</b> .....	<b>4</b>
<b>6.5</b>	<b>Step 5. Conecting the pendant .</b> .....	<b>5</b>
<b>7.0</b>	<b>DISCLAIMER:</b> .....	<b>6</b>

---

## **1.0 FEATURES**

- **Emergency Stop Push Button (E-Stop).**
- **Rotary Manual Pulse Generator (MPG).**
- **Spindle Over.**
- **5 Positions Rotary switch for axis selection.**
- **16 Position for Spindle Override.**
- **21 Position for Feed Override.**
- **Multifunction Keyboard.**
- **4 X 20 LCD for process information displaying**
- **USB connection.**

---

## 2.0 SPECIFICATIONS

<b>Main Voltage Input (VDC)</b>	5 Vdc @ 1.5 Amps
<b>Dimensions (in) / (mm)</b>	282 X 190 X 35
<b>Weight (lbs) / (kg)</b>	

## 3.0 SYSTEM REQUIREMENTS

<b>Processor</b>	1Ghz CPU
<b>Memory</b>	512
<b>USB</b>	1.1 or 2.0
<b>Operating System</b>	Windows 2000, Windows XP, Windows Vista, Windows 7 or 8
<b>Software</b>	<a href="#">Mach3 Version R3.043.066</a>

## 4.0 WARNING



Read and follow instructions on the manual.

## 5.0 REMOTE PENDANT DESCRIPTION

### 5.1 FRONT VIEW



## 6.0 QUICK START (STEP BY STEP)

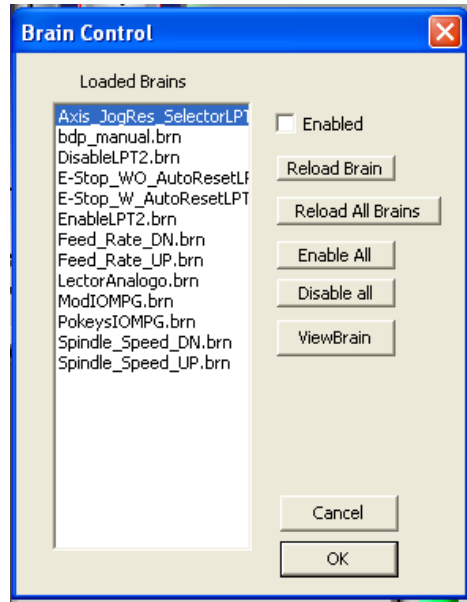
### 6.1 Step 1. Software Installation:

Before connecting the pendant to the computer install the basic software and configuration files:

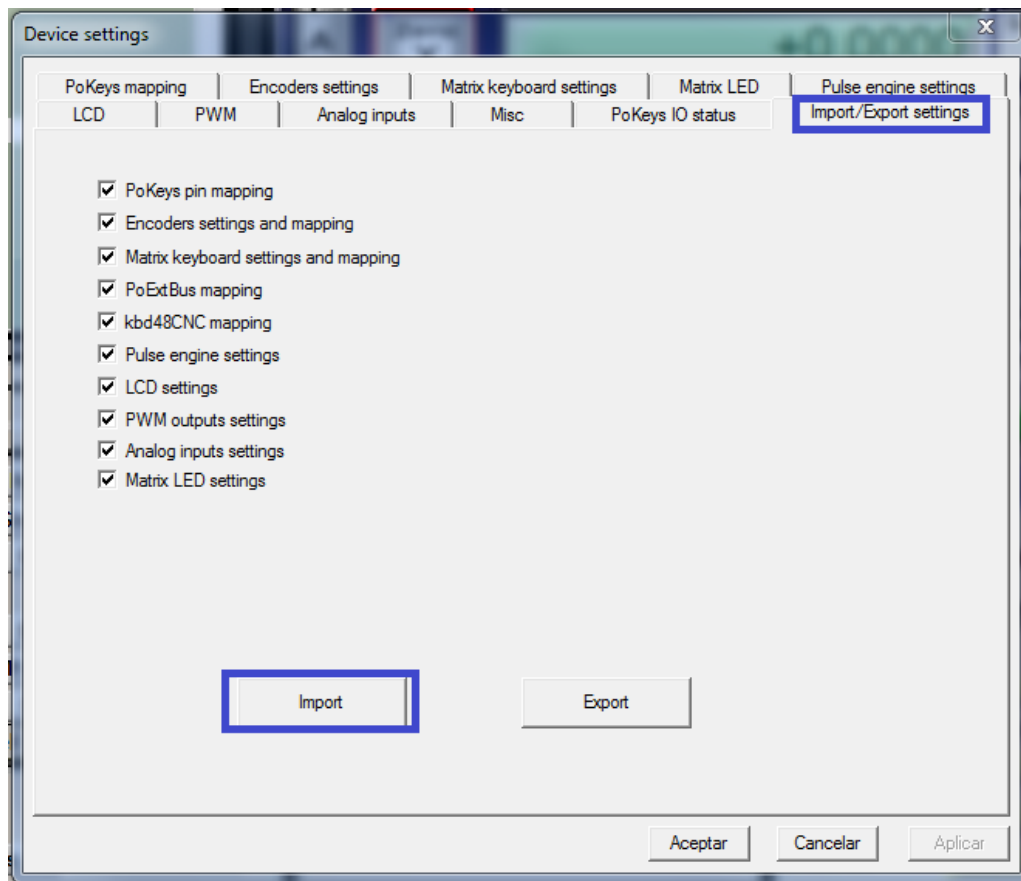
1. Download and install Mach3:  
<ftp://machsupport.com/Mach/Mach3Version3.042.040.exe>.
2. Install the Mach3 License.
3. Download and copy XML, USB Driver and Pokeys software, MachCNC Plugin and configuration files: <http://cnc4pc.com/Files/MPG14v2.zip>. Make sure to copy each file in the specific directory.

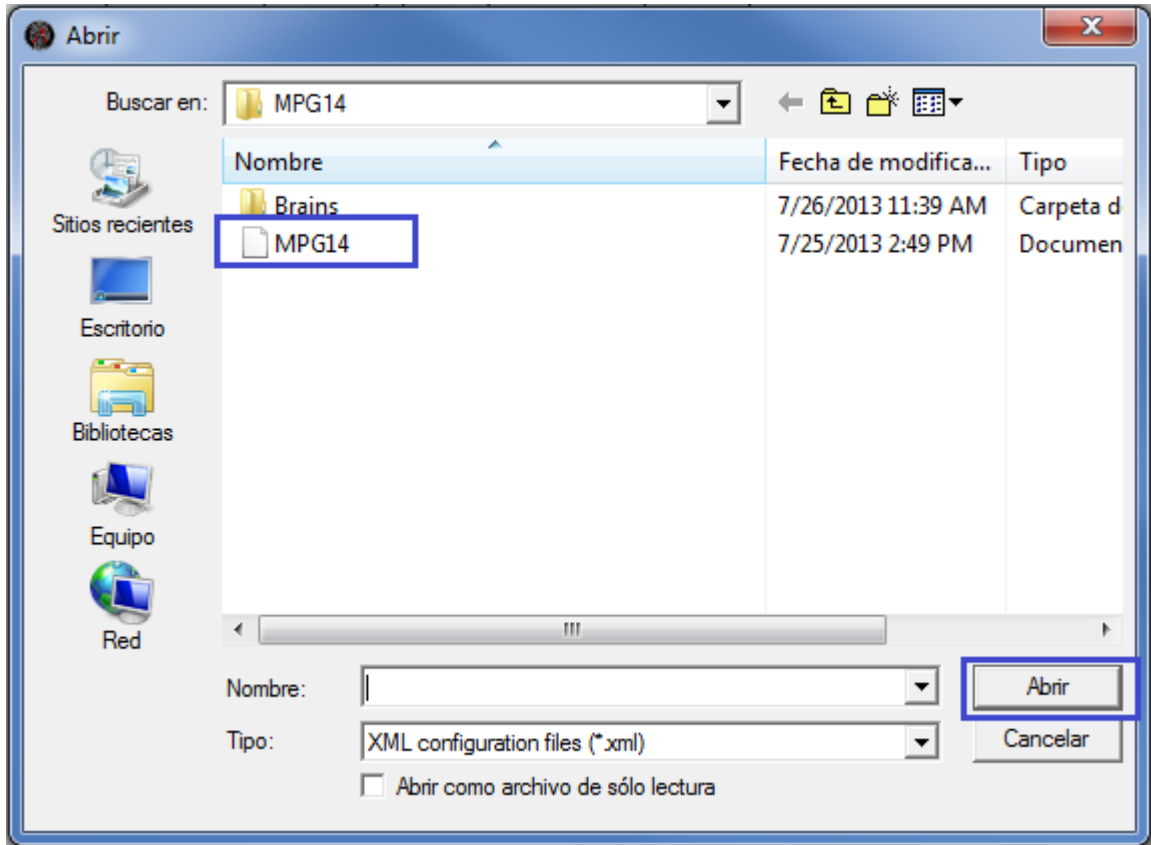
### 6.2 Step 2. copy and enable brain.

- Unzip the MPG14 file
- Copy the files located in the folder brains to the folder C:/MACH3 /Brain
- In mach3, Go to the brain control window and enable the new brains.

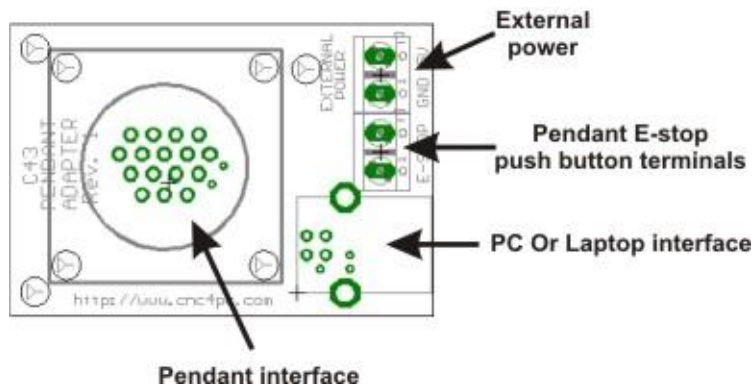


### 6.3 Step 3. Pokeys Plugin Configuration.





## 6.5 Step 5. Conecting the pendant .



---

## **7.0 DISCLAIMER:**

Use caution. CNC machines could be dangerous machines. DUNCAN USA, LLC or Arturo Duncan are not liable for any accidents resulting from the improper use of these devices. This product is not fail-safe device, and it should not be used in life support systems or in other devices where its failure or possible erratic operation could cause property damage, bodily injury or loss of life.