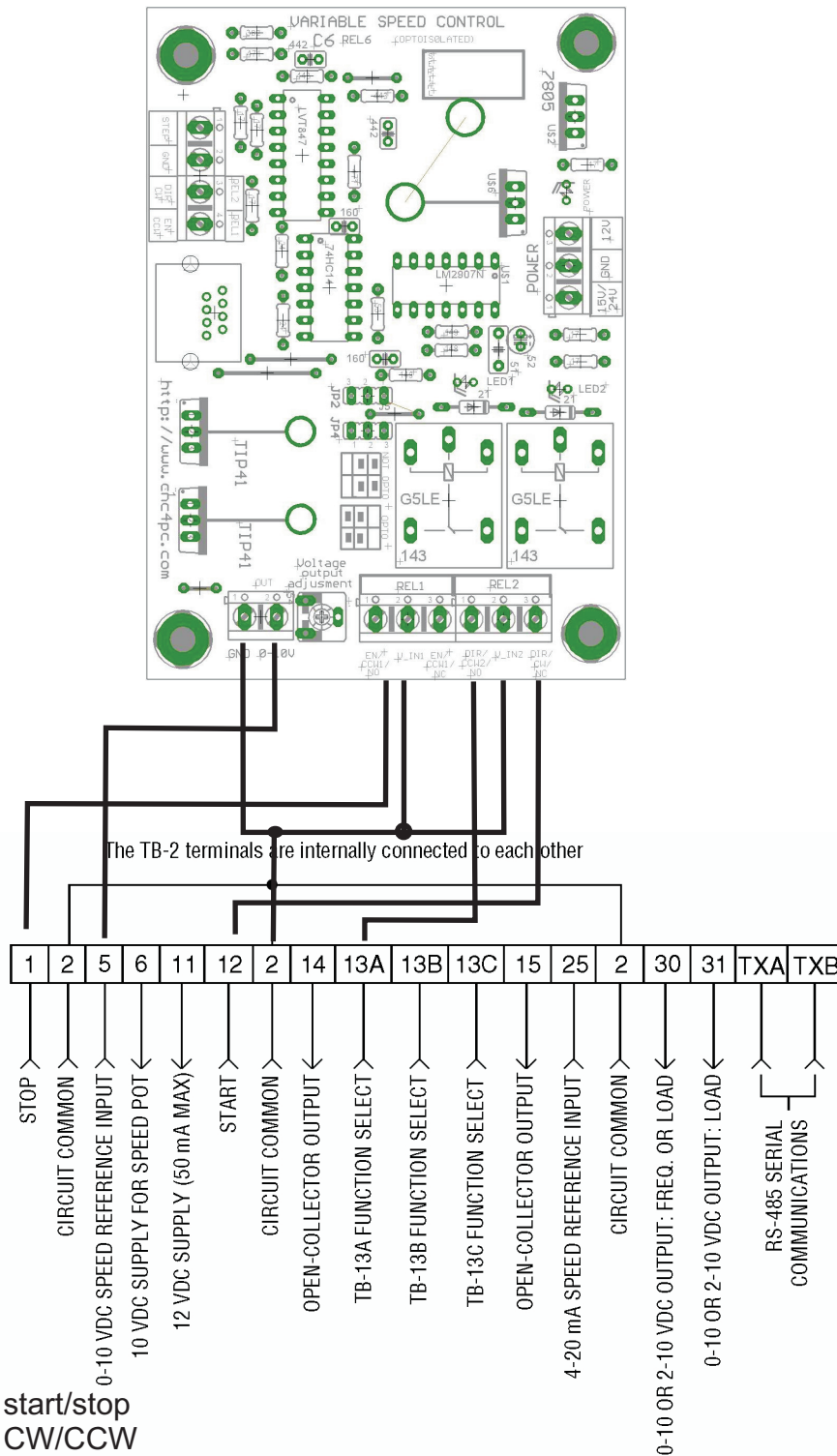


Sample Wiring of an AC Tech SCF series (SF250Y) inverter to C6 Rev 6.



- Relay 1. Is used as start/stop
- Relay 2. Is used as CW/CCW
- The function on terminal 13 needs to be programmed.
- Based on the information on sections 10 and 11 of the manual:<http://www.ctiautomation.net/PDF/AC-Tech/AC-Tech-SCF-Drives-Installation-Operation-Manual.pdf>.

- Wiring at your own risk. Must be made by qualified personal.