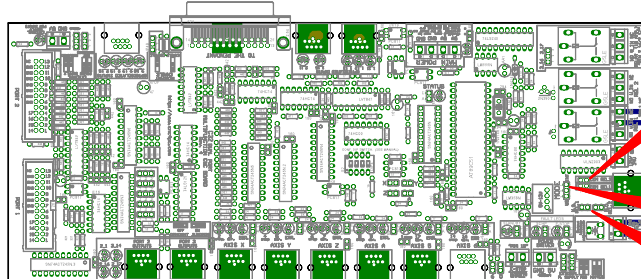
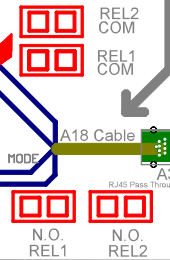


# C32R4 and KBIC-120 (Wiring Option 2)

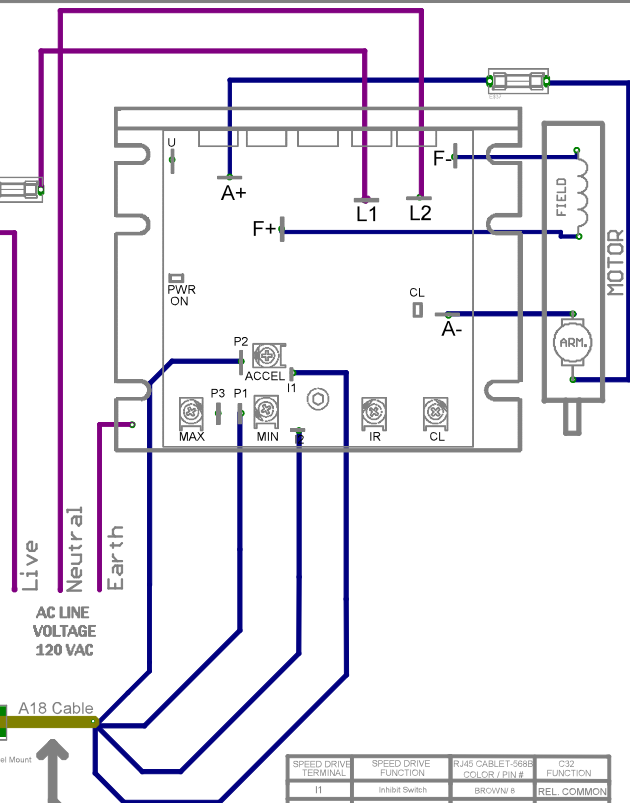


RJ45 CABLE-568B COLOR / PIN #	C32 FUNCTION
BROWN / 6	REL. COMMON
BLUE / 4	REL1 N.C.
ORANGE / 2	Analog Output
ORANGE-WHITE / 1	Analog_GND



US MODE					
C32 PIN	1_14	1_16	REL. 1	REL. 2	SPINDLE OPERATION
PWM	ON	OFF	ON	ON	Spindle ON CCW
PWM	OFF	ON	OFF	OFF	Spindle ON CW
OFF	ON	OFF	OFF	OFF	Spindle OFF
OFF	OFF	OFF	OFF	OFF	Spindle OFF

INT MODE					
C32 PIN	1_14	1_16	REL. 1	REL. 2	SPINDLE OPERATION
PWM	ON	ON	ON	ON	Spindle ON CCW
PWM	OFF	ON	OFF	OFF	Spindle ON CW
OFF	ON	OFF	OFF	OFF	Spindle OFF
OFF	OFF	OFF	OFF	OFF	Spindle OFF



SPEED DRIVE TERMINAL	SPEED DRIVE FUNCTION	RJ45 CABLE-568B COLOR / PIN #	C32 FUNCTION
I1	Inhibit Switch	BROWN / 6	REL. COMMON
I2	Inhibit Switch	BLUE / 4	REL1 N.C.
P2	0-10VDC Analog input	ORANGE / 2	Analog Output
P1	Common for analog signal	ORANGE-WHITE / 1	Analog_GND



- Make sure the grounds of the analog circuit are keep isolated from the logic (+5vdc). Use a multimeter to confirm there is no continuity between the two grounds before applying power.
- Please consult the inverter manual and confirm this wiring works for your unit.

Note:  
This wiring is just to illustrate a sample product application.  
Specific wiring may vary from system to system.  
It is the users responsibility to implement it correctly.

**CNC4PC**  
<http://www.cnc4pc.com>

Designed: VGG	Date: AUG-30-2012
Revised: YAC	Date: AUG-30-2012
Item: C32R4 and KBIC	Ver.: 1
Description: C32R4 and KBIC-120 (Wiring Option 2)	